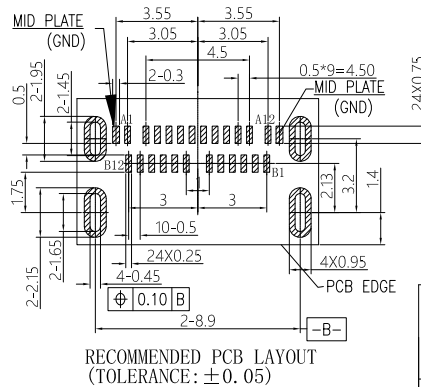
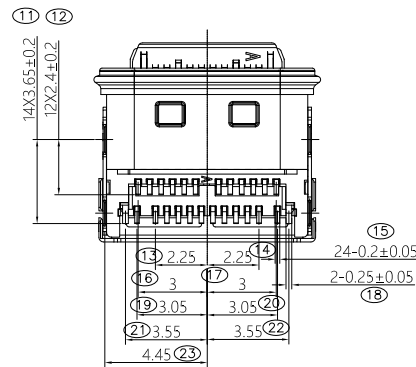
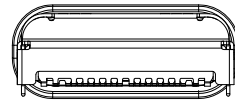
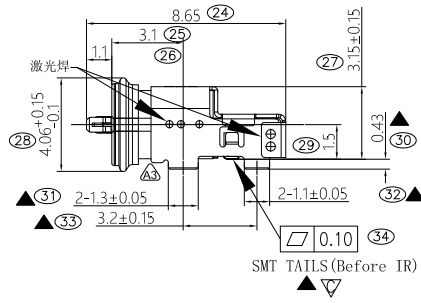
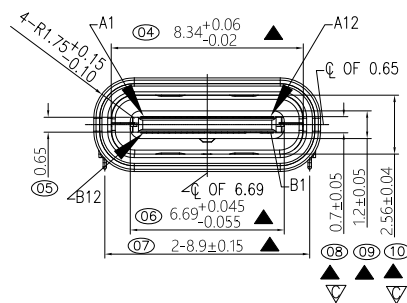
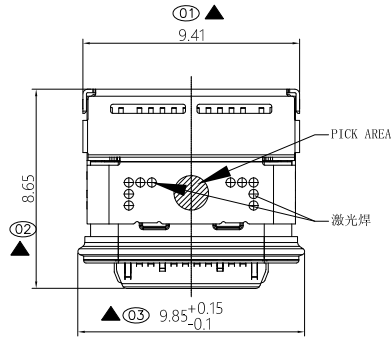
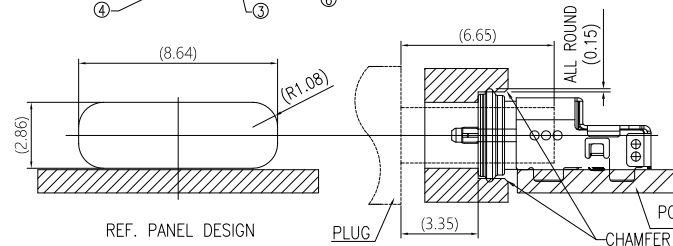
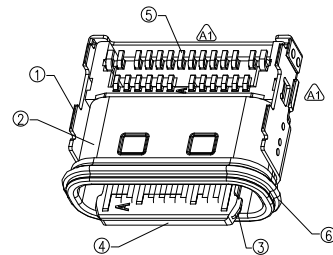




ITEM	MODIFICATION	DATE	DRAW	APPROVE
△1	新版发行	2021/09/10	张凌云	袁俊林
△1	修改结构以改善焊接效果	2022/10/12	张凌云	袁俊林
△2	修改外壳前台阶与焊接面齐平	2023/03/22	袁春梅	袁俊林
△3	修改外壳前台阶,改善产品重心不稳定	2023/11/02	望盛	袁俊林



NOIES:

- ELECTRICAL CHARACTERISTICS:
 - CONTACT CURRENT RATING: 5.0A FOR VBUS PIN AND ITS CORRESPONDING GND PIN.
 - CONTACT RESISTANCE: 30 MILLIOHMS MAX FOR VBUS AND GND CONTACTS. 40 MILLIOHMS MAX FOR ALL OTHER CONTACTS.
 - DIELECTRIC WITHSTANDING VOLTAGE: 100 VRMS AC MIN.
 - INSULATION RESISTANCE: 100 MEGOHMS MIN.
- MECHANICAL CHARACTERISTICS:
 - CONNECTOR INSERTION FORCE: 5~20N. AT A MAXIMUM RATE OF 12.5MM PER MINUTE.
 - CONNECTOR EXTRACTION FORCE: 8~20N AT A MAXIMUM RATE OF 12.5MM PER MINUTE. 6~20N AFTER DURABILITY TEST.
 - DURABILITY: 10000 CYCLES.
 - OPERATING TEMPERATURE: -55°C TO +85°C
- SALT SPRAY: 48HOURS.
- DIMENSIONS ARE IN MILLIMETERS, BRACKETED DIMENSIONS ARE INCHES EQUIVALENTS.
- RECOMMENDED PROCESS: IR REFLOW 260°C, 3~5SECONDS.
- THE CONNECTOR IS ROHS COMPLIANT AND HALOGEN FREE COMPLIAN.
- Mark "⊗" REFERS TO FAI INSPECTION DIMENSION
- Mark "▲" IS THE KEY INSPECTION DIMENSION OF IPQC
- Mark "▽" IS CPK SIZE

Pin	Signal Name	Pin	Signal Name
A1	GND	B12	GND
A2	SSTXp1	B11	SSRXp1
A3	SSTXn1	B10	SSRXn1
A4	Vbus	B9	Vbus
A5	CC1	B8	SBU2
A6	Dp1	B7	Dn2
A7	Dn1	B6	Dp2
A8	SBU1	B5	CC2
A9	Vbus	B4	Vbus
A10	SSRXn2	B3	SSTXn2
A11	SSRXp2	B2	SSTXp2
A12	GND	B1	GND

TABLE:

ITEM	PART NAME	Q'TY	Material&Plating
1	SUB-SHELL	1	SUS304 t=0.15, Ni PLATED 30u"
2	MAIN-SHELL	1	SUS316L t=0.20 CLEANING
3	LATCH	1	SUS301 t=0.15, Ni PLATED 30u"
4	HOUSING	1	PA9T+30%G.F, HF BLACK
5	CONTACT	24	C7025 t=0.12, Ni 50-150u" UNDER PLATED OVER.30u"Au PLATED ON THE CONTACT AREA, 3-8u"Au PLATED ON THE SOLDER TAILS.
6	LIM	1	CHN-LIMS-60A/B; Pull force 300g

PRJ.

DIMENSION STYLE
MM ONLY

DESIGN UNITY
METRIC

MAJOR
▽=15

SCALE
1:1

东莞市超讯电子有限公司

transcend communication

TITLE USB TYPE C 防水母座 24PIN 双排脚 SMT型 LIM注塑防水圈

PART NO. SNF15U021R-W

MOLD NO. DWG-USB CF-046

SHEET NO. 1 OF 1

REV. A3

TOLERANCE UNLESS OTHERWISE SPECIFIED

X.±0.35	X.±5°
X.X±0.25	X.X±3°
X.XX±0.20	X.XX±2°