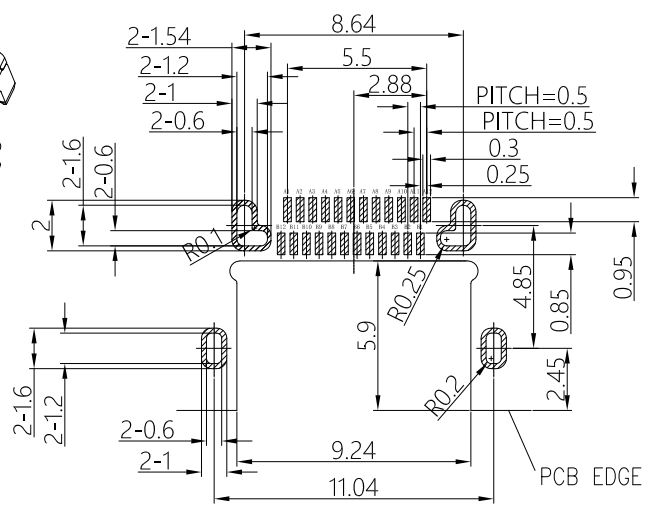
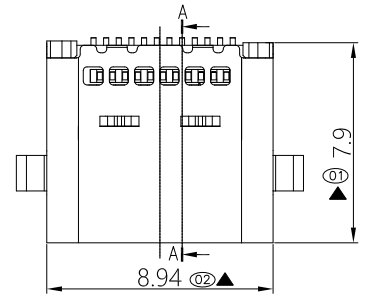
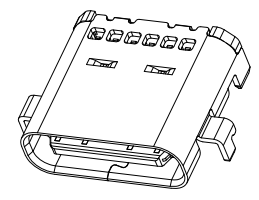
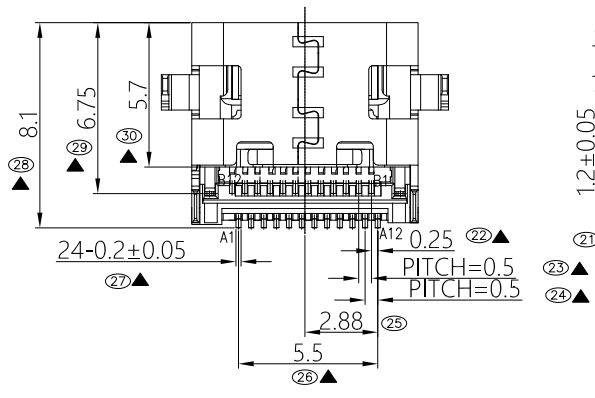
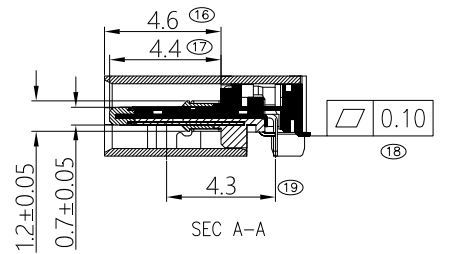
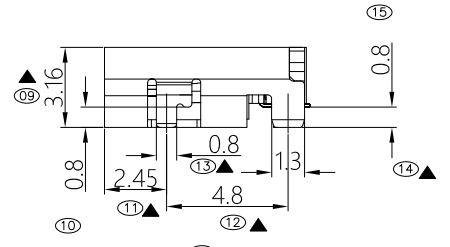
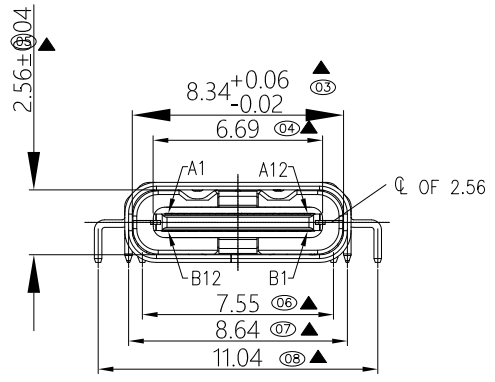


RoHS
Compliant



RECOMMENDED PCB LAYOUT(TOP VIEW)
THICKNESS 0.60MM:DEFAULT TOLERANCE:±0.05



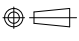
NOTES:

- ELECTRICAL CHARACTERISTICS:
 - CONTACT CURRENT RATING:
5.0A FOR VBUS PIN AND ITS CORRESPONDING GND PIN.
 - CONTACT RESISTANCE:
30 MILLIOHMS MAX FOR VBUS AND GND CONTACTS.
40 MILLIOHMS MAX FOR ALL OTHER CONTACTS.
 - DIELECTRIC WITHSTANDING VOLTAGE:100 VRMS AC MIN.
 - INSULATION RESISTANCE:100 MEGOHMS MIN.
- MECHANICAL CHARACTERISTICS:
 - CONNECTOR INSERTION FORCE:5~20N.
AT A MAXIMUM RATE OF 12.5MM PER MINUTE.
 - CONNECTOR EXTRACTION FORCE:
8~20N AT A MAXIMUM RATE OF 12.5MM PER MINUTE.
6~20N AFTER DURABILITY TEST.
 - DURABILITY:10000 CYCLES.
 - OPERATING TEMPERATURE: -55°C TO +85°C
- SALT SPRAY:48HOURS.
- DIMENSIONS ARE IN MILLIMETERS, BRACKETED DIMENSIONS ARE INCHES EQUIVALENTS.
- RECOMMENDED PROCESS: IR REFLOW 260°C, 3~5SECONDS.
- THE CONNECTOR IS ROHS COMPLIANT AND HALOGEN FREE COMPLIAN.
- Mark "▲" IS THE KEY INSPECTION DIMENSION OF IPQC.

Pin	Signal Name	Pin	Signal Name
A1	GND	B12	GND
A2	SSTXp1	B11	SSRXp1
A3	SSTXn1	B10	SSRXn1
A4	Vbus	B9	Vbus
A5	CC1	B8	SBU2
A6	Dp1	B7	Dn2
A7	Dn1	B6	Dp2
A8	SBU1	B5	CC2
A9	Vbus	B4	Vbus
A10	SSRXn2	B3	SSTXn2
A11	SSRXp2	B2	SSTXp2
A12	GND	B1	GND

TABLE:

ITEM	PART NAME	Q'TY	Material&Plating
1	SHELL	1	SUS304 t=0.30, Ni PLATED 30u"
2	EMC PLATE	2	SUS304 t=0.10
3	LATCH	1	SUS301 t=0.15, Ni PLATED 30u"
4	HOUSING	1	PA9T+30%G.F, HF BLACK
5	CONTACT	12	C7025 t=0.12,Ni 50u" UNDER PLATED OVER. 30u"Au PLATED ON THE CONTACT AREA, 1u"Au PLATED ON THE SOLDER TAILS.

PRJ. 
DIMENSION STYLE
MM ONLY

CXUN 东莞市超讯电子有限公司
transcend communication

TOLERANCE UNLESS OTHERWISE SPECIFIED	
X.±0.25	X.±5°
X.X±0.20	X.X±3°
X.XX±0.15	X.XX±2°

DESIGN UNITY	DRAWN BY	DATE	TITLE
METRIC	Bart	2021/06/05	USB TYPE C 母座沉板0.8 24PIN SMT型
MAJOR	CHECKED BY	DATE	PART NO.
▼=15	Bart	2021/06/05	SNF13T060R-W
SCALE	APPROVED BY	DATE	MOLD NO.
1:1	袁俊林	2021/06/05	DWG-USB CF-040
			SHEET NO.
			1 OF 1
			REV.
			A0