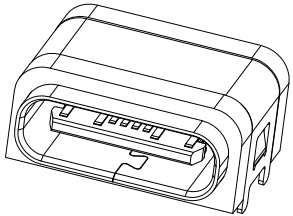
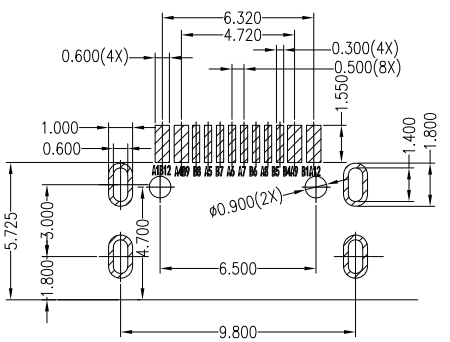
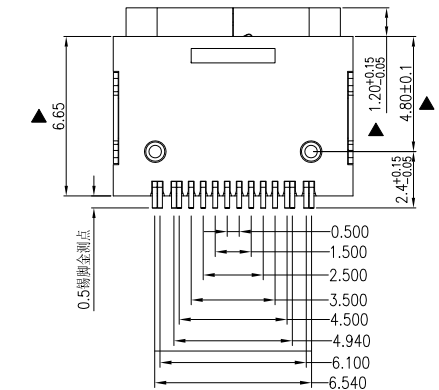
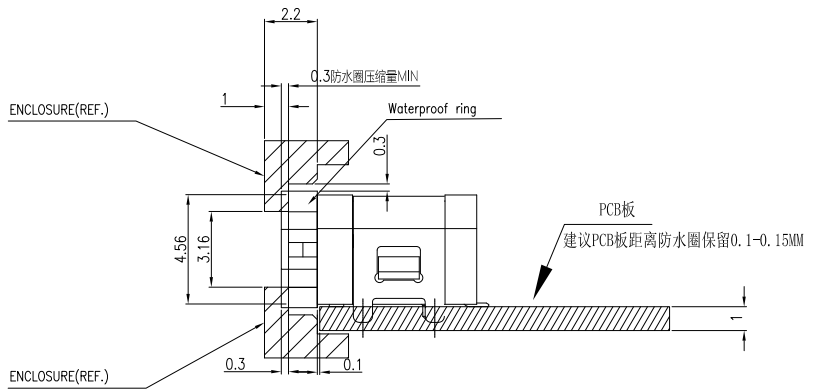
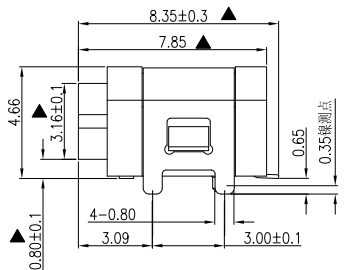
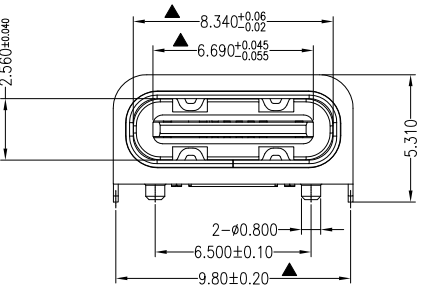
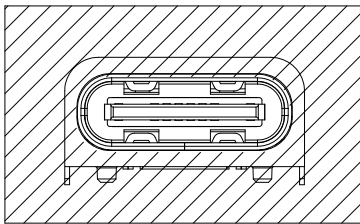
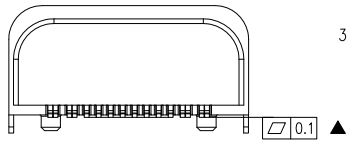
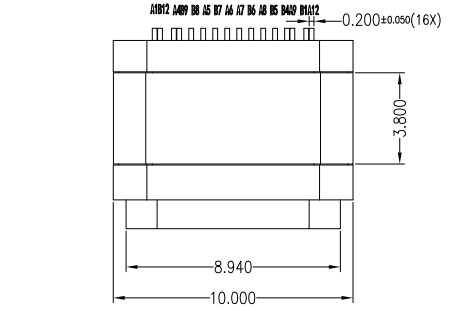
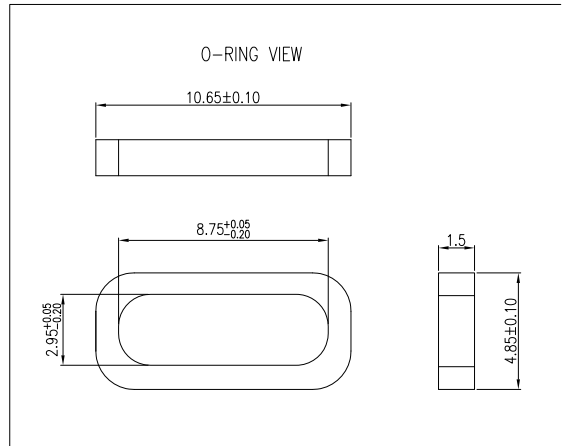


ITEM	MODIFICATION	DATE	DRAW	APPROVE
△	新版发行	2023-07-18	望盛	袁俊林



Note:  
 1.ELECTRICAL:  
 1-1:CURRENT RATING:  
 VBUS AND GND CONTACTS RATED AT 1.25A  
 PARALLELED FOR A TOTAL OF 5A;  
 1-2:INITIAL CONTACT RESISTANCE :40 MEGOHMS  
 1-3:DIELECTRIC WITHSTANDING VOLTAGE:  
 100V AC MIN;  
 2:MECHANICAL CHARACTERISTICS:  
 2-1:MATING FORCE:5~20N  
 2-2:UNMATING FORCE:8~20N(INITIAL),  
 6~20N(AFTER 10000 CYCLES)  
 2-3:FREQUENCY:10000 CYCLES  
 2-4:OPERATING TEMPERATURE ;-30℃~85℃.  
 3.WATERPROOF:IP-X8  
 CX014



PCB LAYOUT 图仅供参考

5	OUT SHELL	PA46 Black
4	HOUSING	LCP Black
3	RING	BLACK Silica Gel
2	Shell	SUS Ni50u"
1	Contact	C7025 AuNi1u"
ITEM	DEFINITION	SPEC DESCRIPTION

TOLERANCE UNLESS OTHERWISE SPECIFIED	
.X±0.15	Ang.±1°
.XX±0.10	
.XXX±0.05	

PROJ.	东莞市超讯电子有限公司 transcend communication		
DIMENSION STYLE MM ONLY			
DESIGN UNITY METRIC	DRAWN BY 望盛	DATE 2023-07-18	TITLE TYPE C 16PIN SMT防水型母座CH2.38 L7.85 脚长0.65
	CHECKED BY 望盛	DATE 2023-07-18	PART NO. BNF01S2214R-W
SCALE 1:1	APPROVED BY 袁俊林	DATE 2023-07-18	MOLD NO. DWG-USB CF-075
		SHEET NO. 1 OF 1	REV. A0